



# ADDENDUM TO THE GRASS CATCHER BLOWER

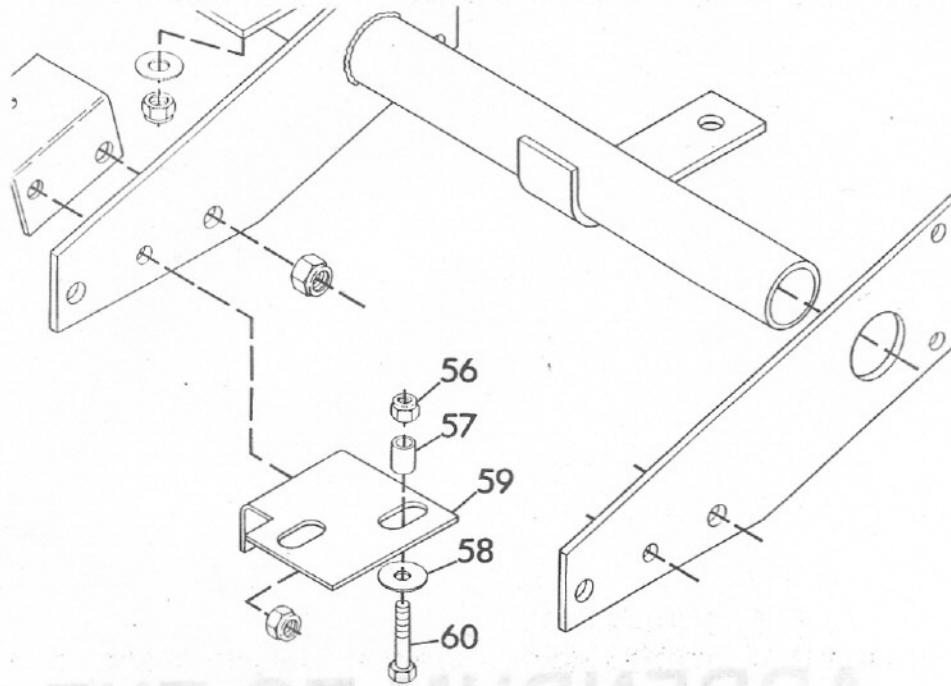


DESCRIPTION	QTY.	PART NO.	REV.
Bracket, Rear Hitch Centering	1	41751	00
Washer, Flat, 1/2x1 1/2x.002	1	41752	00
Bushing, 1/2x.025x.812	1	11936	00
Washer, Lock 1/2-12	1	15604	00

Refer to page 10, Revision 7.10 to read as follows:

2. Swing the rear support bracket so that the holes align with the hitch. Install a 1/2-12x1 1/2 bolt and 1/2-12 lock nut in the rear hole and a 1/2-12x1 1/2 bolt in the center hole. For the rear hitch centering bracket followed by a 1/2-12 lock nut on the 1/2-12x1 1/2 bolt. Tighten all of the bolts in the hitch. See Figure 5 and the illustration. Fasten the centering bracket to the bottom of the engine with the 1/2-12x1 1/2 hex bolt, flat washer, bushing and 1/2-12 lock nut as shown in the illustration. The size of which the hardware is listed in the table.

Refer to the Grass Catcher Blower manual, Form No. 41760 (9-86), pages 7 and 8. Revise Item No. 21, Part No. 36987 to 43775, V-Belt. Also, add Item Nos. 56-60 as shown below.



ITEM NO.	PART NO.	QTY.	DESCRIPTION
56	456004	1	Nut, Lock 3/8-16
57	11936	1	Bushing, .407x.625x.812
58	446470	1	Washer, Flat .375x1.125x.065
59	43872	1	Bracket, Rear Hitch Centering
60	180130	1	Bolt, Hex 3/8-16x2.00

Refer to page 12. Revise 5.10 to read as follows:

- 5.10 Swing the vac support bracket so that the holes align with the hitch. Install a 5/8-11x2 bolt and 5/8-11 lock nut in the rear hole and a 1/2-13x2 bolt in the center hole. Put the rear hitch centering bracket followed by a 1/2-13 lock nut on the 1/2-13x2 bolt. Tighten all of the bolts in the hitch. See Figure 5 and the illustration. Fasten the centering bracket to the bottom of the engine with the 3/8-16x2.00 hex bolt, flat washer, bushing and 3/8-16 lock nut as shown in the illustration. The slot in which the hardware is shown is the correct position for 16, 18 and 20 H.P. units. The 12 H.P. units use the other slot.